

PRODUCT SPECIFICATIONS

Elkay Lustertone™ Classic Stainless Steel 15" x 15" x 7-1/8", Single Bowl Drop-in Bar Sink + Faucet Kit. Sink is manufactured from 18 gauge 304 Stainless Steel with a Lustrous Satin finish, Center drain placement, and Bottom only pads.

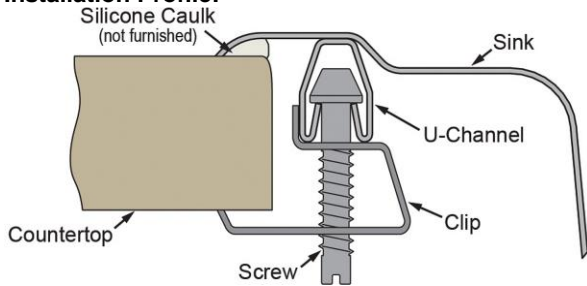
| | |
|------------------------------|--|
| Installation Type: | Drop-in |
| Material: | 304 Stainless Steel |
| Finish: | Lustrous Satin |
| Gauge: | 18 |
| Sound Deadening: | Bottom only pads |
| Number of Bowls: | 1 |
| Sink Dimensions: | 15" x 15" x 7-1/8" |
| Bowl 1 Dimensions: | 12" x 9-1/4" x 7" |
| Drain Size: | 2" (51mm) |
| Drain Location: | Center |
| Minimum Cabinet Size: | 18" |
| Mounting Hardware: | Part # 64090008 included for countertops up to 3/4" (19mm) thick |
| Cutout Template #: | 1000001240 |

Template is available for download at elkay.com. CAD software will be required to open the template.

Cutout Dimensions for Drop-in Installation:

14-3/8" x 14-3/8" (365mm x 365mm) with 1-1/2" (38mm) corner radius

Installation Profile:



OPTIONAL ACCESSORIES

| | |
|------------------------|--------------|
| Bottom Grid: | LKWBG1209SS |
| Cutting Board: | CB912 |
| Hardware: | LK364, LK463 |
| Rinsing Basket: | LKWRB1209SS |
| Soap Dispenser: | LKGT1054 |

PART: _____ QTY: _____

PROJECT: _____

CONTACT: _____

DATE: _____

NOTES: _____

APPROVAL: _____

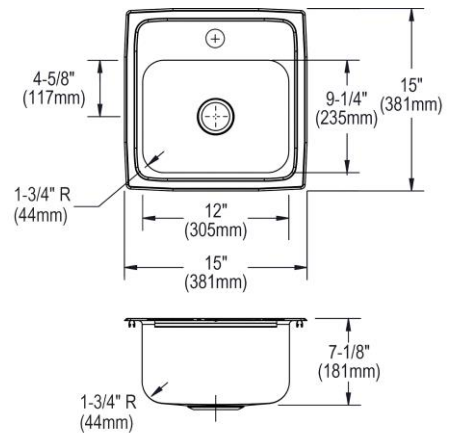


Included with Product: BLR15 sink, LKD2223C faucet, LK36 drain

AMERICAN PRIDE. A LIFETIME TRADITION. Like your family, the Elkay family has values and traditions that endure. For almost a century, Elkay has been a family-owned and operated company, providing thousands of jobs that support our families and communities.

Product Compliance: ASME A112.19.3/CSA B45.4
Faucet: ASME A112.18.1/CSA B125.1
 NSF 61
 NSF 372 (lead free)
Accessory: ASME A112.18.2/CSA B125.2

[Clean and Care Manual \(PDF\)](#)
[Installation Instructions \(PDF\) - 1000005236](#)
[Installation Instructions \(PDF\) - 0000001000](#)
[Installation Instructions \(PDF\) - 1000005235_drain](#)
[Warranty \(PDF\)](#)



1-1/4" (38mm) Diameter Faucet Hole

In keeping with our policy of continuing product improvement, Elkay reserves the right to change product specifications without notice. Please visit elkay.com for the most current version of Elkay product specification sheets. This specification describes an Elkay product with design, quality, and functional benefits to the user. When making a comparison of other producers' offerings, be certain these features are not overlooked.

PRODUCT SPECIFICATIONS

Elkay Single Hole Deck Mount Faucet with Gooseneck Spout Twin Lever Handles Chrome. Faucet has a flow rate of 1.5 GPM, and is made of Chrome Plated Brass material, with a Quarter Turn Ceramic Disc valve. Faucet requires 1 faucet holes.

| | |
|--------------------------------|---------------------------|
| Mounting Type: | Deck Mount |
| Special Features: | Solid Brass Construction |
| Finish: | Chrome (CR) |
| Handle Type: | 2.6" Lever Handle |
| Deck Clearance: | 9-7/8" |
| Spout Reach: | 5" |
| Spout Height: | 13" |
| Hole Drillings: | 1 |
| Material: | Chrome Plated Brass |
| Valve Type: | Quarter Turn Ceramic Disc |
| Valve Connection: | 3/8" O.D. Stainless Flex |
| Flow Rate: | 1.5 GPM |
| Faucet Hole Size (min): | 1-1/2" |
| Countertop Thickness: | 1-1/8" |
| Spout Swing Rotation: | 360° |
| Spout Type: | Gooseneck |



Chrome
(CR)



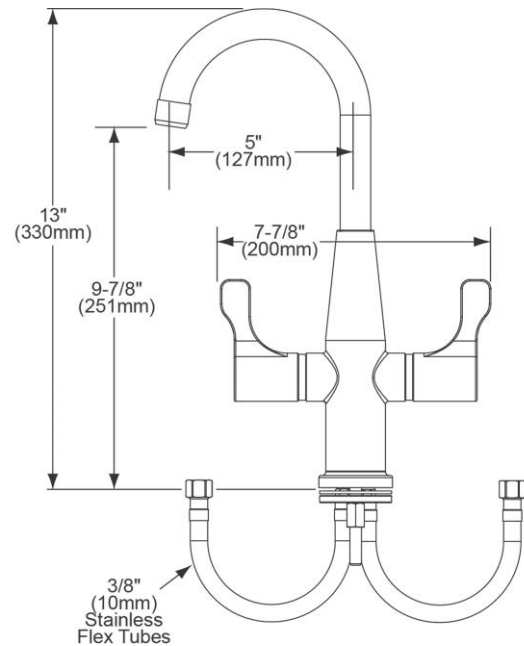
AMERICAN PRIDE. A LIFETIME TRADITION.
Like your family, the Elkay family has values and traditions that endure. For almost a century, Elkay has been a family-owned and operated company, providing thousands of jobs that support our families and communities.

Product Compliance: ADA & ICC A117.1
ASME A112.18.1/CSA B125.1
NSF 61
NSF 372 (lead free)



Complies with ADA & ICC A117.1 accessibility requirements when installed according to the requirements outlined in these standards.

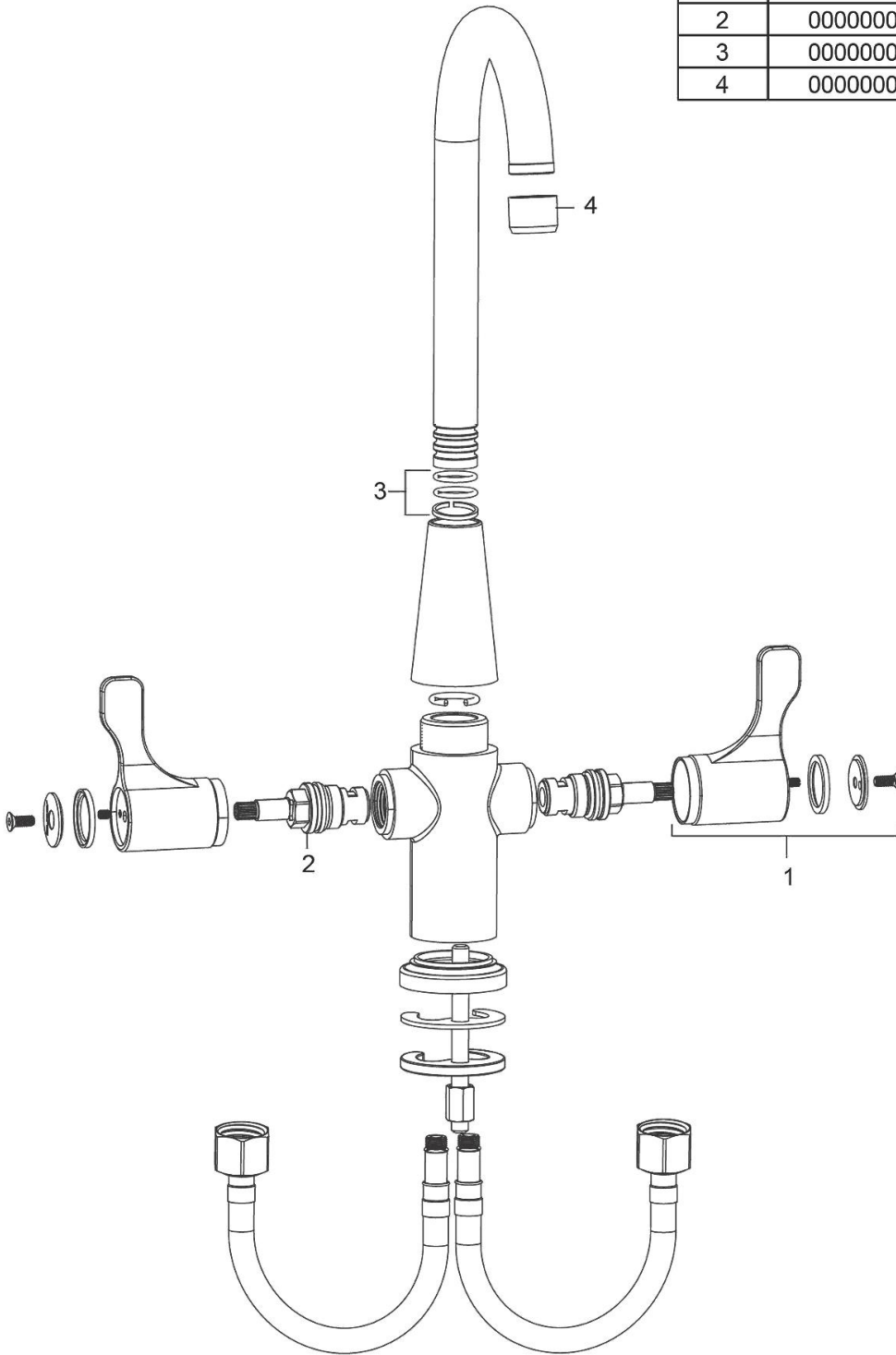
[Clean and Care Manual \(PDF\)](#)
[Installation Instructions \(PDF\)](#)
[Limited Warranty \(PDF\)](#)



PART: _____ QTY: _____
 PROJECT: _____
 CONTACT: _____
 DATE: _____
 NOTES: _____
 APPROVAL: _____

In keeping with our policy of continuing product improvement, Elkay reserves the right to change product specifications without notice. Please visit elkay.com for the most current version of Elkay product specification sheets. This specification describes an Elkay product with design, quality, and functional benefits to the user. When making a comparison of other producers' offerings, be certain these features are not overlooked.

| ITEM | PART # | DESCRIPTION |
|------|------------|-----------------------------|
| 1 | 0000000680 | 2.6" Blade Handle |
| 2 | 0000000682 | Cartridges |
| 3 | 0000000686 | 360° Swing Spout Repair Kit |
| 4 | 0000000688 | Aerator |



In keeping with our policy of continuing product improvement, Elkay reserves the right to change product specifications without notice. Please visit elkay.com for the most current version of Elkay product specification sheets. This specification describes an Elkay product with design, quality, and functional benefits to the user. When making a comparison of other producers' offerings, be certain these features are not overlooked.

PRODUCT SPECIFICATIONS

Elkay Drain Fitting 2" Nickel Plated Brass Body with Deep Stainless Steel Strainer Basket. Overall dimensions are 2-7/8" x 2-7/8" x 6-7/16". Made of Nickel Plated Brass Body with Stainless Steel Strainer Basket and Tailpiece.

| | |
|-------------------------|---|
| Material: | Nickel Plated Brass Body with Stainless Steel Strainer Basket and Tailpiece |
| Finish: | Polished Stainless Steel |
| Dimensions: | 2-7/8" x 2-7/8" x 6-7/16" |
| Shipping Weight: | 1 lbs. |

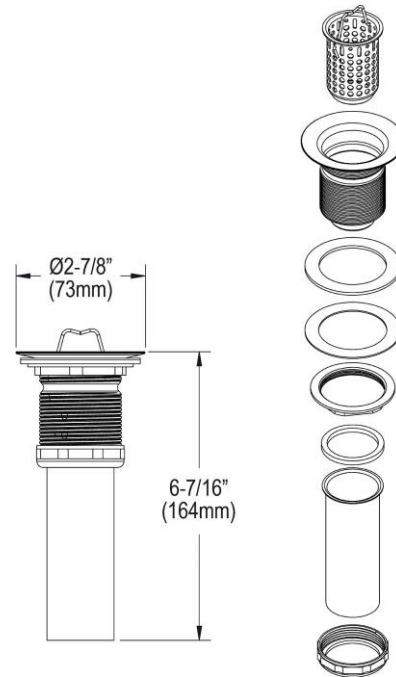
- 1-1/2" O.D. x 4" type 304 stainless steel tailpiece.



AMERICAN PRIDE. A LIFETIME TRADITION.
Like your family, the Elkay family has values and traditions that endure. For almost a century, Elkay has been a family-owned and operated company, providing thousands of jobs that support our families and communities.

Product Compliance: ASME A112.18.2/CSA B125.2

[Clean and Care Manual \(PDF\)](#)
[Installation Instructions \(PDF\)](#)



PART: _____ QTY: _____
 PROJECT: _____
 CONTACT: _____
 DATE: _____
 NOTES: _____
 APPROVAL: _____

In keeping with our policy of continuing product improvement, Elkay reserves the right to change product specifications without notice. Please visit elkay.com for the most current version of Elkay product specification sheets. This specification describes an Elkay product with design, quality, and functional benefits to the user. When making a comparison of other producers' offerings, be certain these features are not overlooked.